



CUSTOMER

MANAC WESTERN

BY M. DOYON

ECH. 1 : 100

PAGE 1

DATE 4-9-2012

REF. # 129434

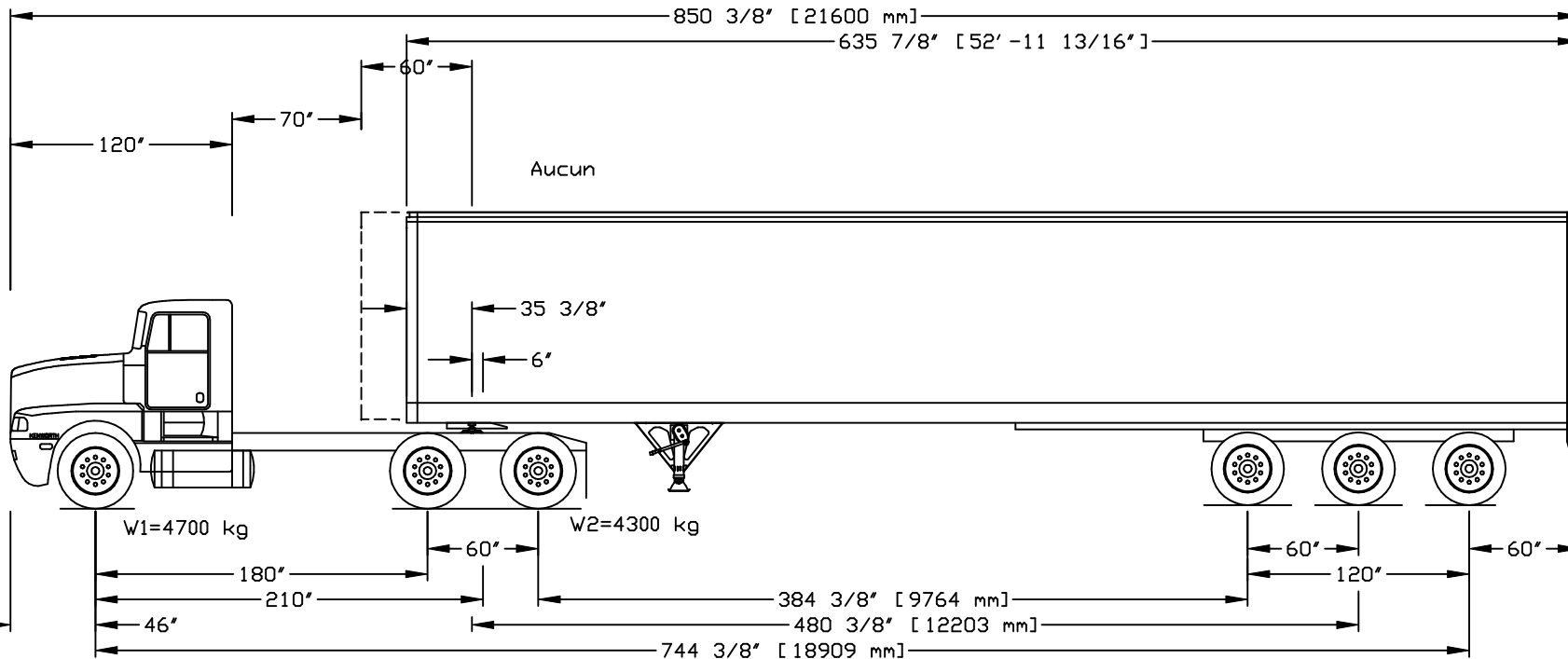
DRAW. # 137938-V1

TITLE

53' FRP VAN TRIDEM 72' SLIDER

APPL.

CANADA USA DOT



MAXIMUM WEIGHTS ALLOWED PER AXLE GROUP

					TOTAL
QC_NORMAL	5500 kg	18000 kg	24000 kg	47500 kg	
QC_THAW	5500 kg	15500 kg	21000 kg	42000 kg	
ONTARIO	5500 kg	18000 kg	24000 kg	47500 kg	
WEST	5500 kg	17000 kg	24000 kg	46500 kg	
USA	12000 lbs	34000 lbs	43500 lbs	80000 lbs MAX.	

CALCULATED WEIGHTS FOR APPLIED LOADS

EMPTY :  
LOAD 1 :  
LOAD 2 :

	QUEBEC		ONTARIO	WEST	USA
	NORMAL	THAW (DEGEL)			
GROSS COMBINAISON WEIGHT	47500 Kg	42000 Kg	47500 Kg	46500 Kg	80000 Lbs
TRACTOR					
LEAD SEMI-TRAILER					
REAR SEMI-TRAILER					
PAYLOAD					

- WEIGHTS AND REACTIONS GIVEN ON THIS DOCUMENT ARE APPROXIMATE.

APPROVED BY (CUSTOMER)