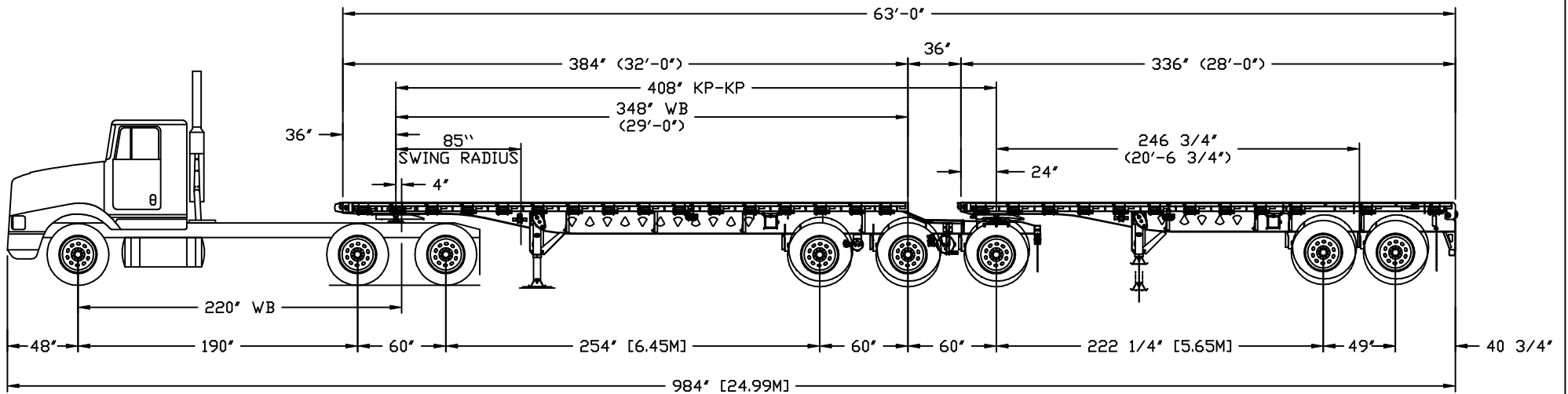


SUPER B 32' - 28'  
 MANAC WESTERN  
 PARADESIGN

REF: 137186 ET 137189



5500 KG

17000 KG

23000 KG

17000 KG

62500 KG

WEST

APPROBATION

SALESMAN \_\_\_\_\_

CUSTOMER \_\_\_\_\_

**o manac**

STEPHANE PARENT

DESSIN: 142950-V1

DATE: 23-05-13

P1