



CUSTOMER

MANAC WESTERN

BY S. PARENT

ECH. 1 : 100

PAGE 1

DATE 09-09-14

REF. # 152517

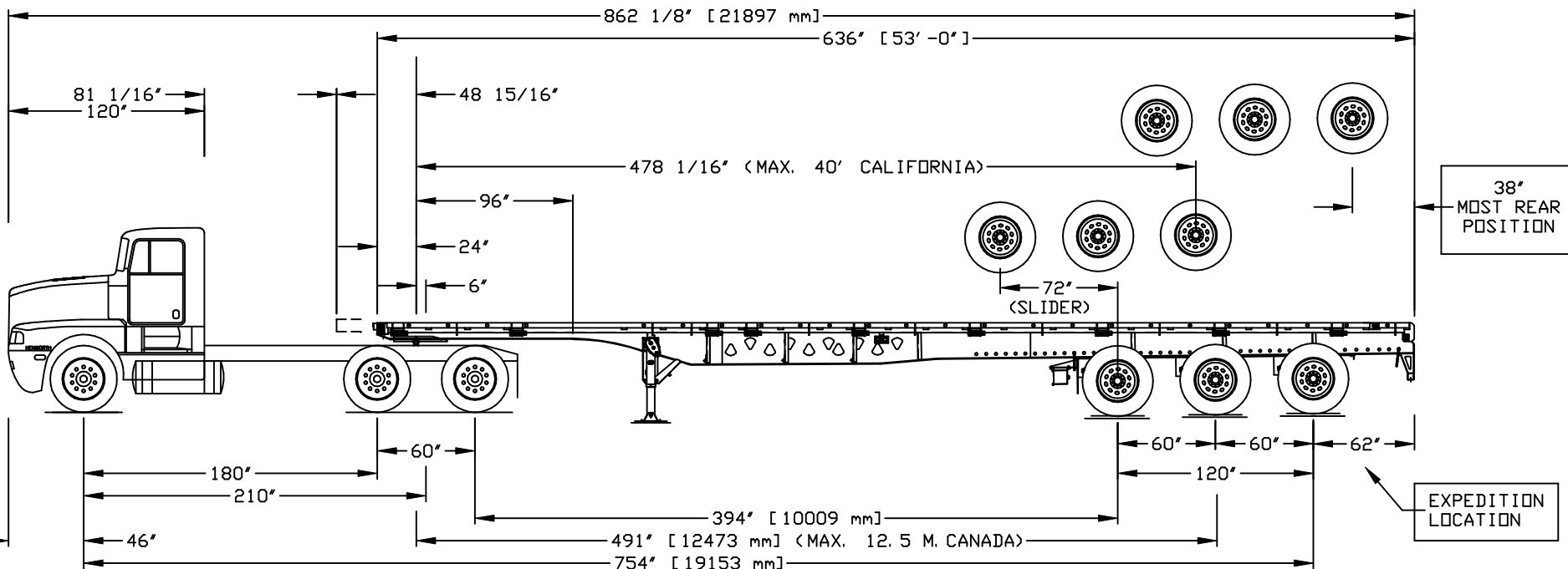
DRAW. # 152735-V1

TITLE

10353A020

APPL.

Western Canada



MAXIMUM WEIGHTS ALLOWED PER AXLE GROUP

					TOTAL		
QC_NORMAL	5500 kg	-----	18000 kg	-----	24000 kg	----	47500 kg
QC_THAW	5500 kg	-----	15500 kg	-----	21000 kg	----	42000 kg
ONTARIO	5500 kg	-----	18000 kg	-----	24000 kg	----	47500 kg
QUEST	5500 kg	-----	17000 kg	-----	23000 kg	----	45500 kg

- WEIGHTS AND REACTIONS GIVEN ON THIS DOCUMENT ARE APPROXIMATE.

	QUEBEC		ONTARIO	QUEST
	NORMAL	THAW (DEGEL)		
GROSS COMBINAISON WEIGHT	47500 Kg	42000 Kg	47500 Kg	45500 Kg

<p>PLATE D.O.T.</p> <p>YES <input checked="" type="checkbox"/> NO <input type="checkbox"/></p>	<p>ANCHOR POINTS</p> <p>18</p>
<p>APPROVED BY <CUSTOMER></p>	